

EV8626

Currency counting machine

Next-generation note counting

The optimisation of cash management calls for specialist experience, resources and truly innovative technology. Across the world, Talaris' cash management solutions are trusted by thousands of organisations to ensure their cash is managed securely and efficiently whilst delivering the ultimate in productivity.

Talaris have in excess of 250 patents granted across 26 countries and are world experts in optimal cash handling solutions. 2,300 Talaris professionals, including over 1,000 service and support staff and 130 business partners cover over 100 countries delivering these solutions - wherever money moves.

The robust EV8626 currency counter is the entry level model from Talaris' EV86-Series of currency counters. It is an ideal model for users who require a highly accurate solution for processing low to medium volumes of banknotes or where ease of use and minimal product training are the key purchase considerations.



EV86-Series technology

The EV8626 is a member of the EV86-Series of currency counters incorporating many of the same elements of the Talaris premium EV8650 model whilst providing the user with the correct level of functionality to meet their requirements.

The most efficient feed on the market

The EV86-Series incorporates Talaris' Ultra Feed technology which maximises the feed efficiency of the counter, ensuring that the counter feeds all banknotes irrespective of design and quality of condition.

"Right First Time" count accuracy, every time

In field tests Talaris' unique MDD system is up to 100 times more accurate than alternative systems such as opacity. MDD accurately counts all banknotes irrespective of design and quality of condition, without operator or service technician adjustment.

MDD is unaffected by

- currency sets with different densities of paper for different denominations
- banknotes with excessive levels of dirt or staining
- clear windows commonly found in polymer notes

Speed – fast and efficient throughputs

With a top speed of 1500 notes per minute, the EV8626 offers speed and throughput levels more commonly reserved for the premium machines. The high speed, superior feed technology and "right first time accuracy" ensures that the user achieves maximum efficiencies thereby saving valuable time and money.

Talaris Technology

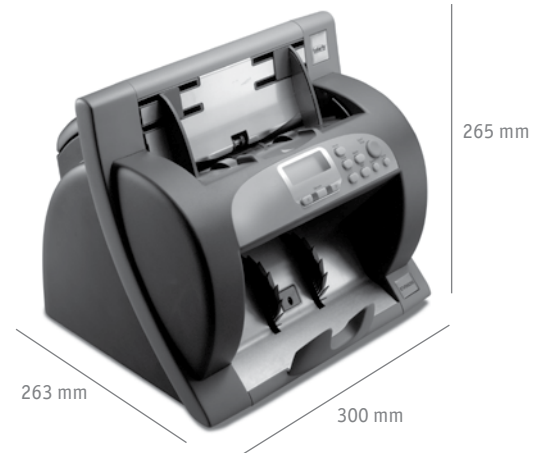
Talaris' unique technology sets new industry standards



Maximising feed efficiency, ensuring that all banknotes are fed consistently irrespective of design and quality of condition.



Right First Time. Every Time.
Most accurate counting technology in the world.
Decisive counting; low stop-rates.
Less re-feeding, less frustration.



Product specification

Speed range	600 - 1500 notes per minute	Weight	7.5 kg
Document size range	50 x 100 mm to 90 x 185 mm	Power supply	98 – 264V AC, 50/60 Hz
Capacity	Feed Hopper = 500 notes Output Stacker = 200 notes	Power consumption	150W
Display	LCD, Count – 5 digits / Batch – 3 digits	Manufacturing standards and approvals	ISO9001, CE, UL, GOST
Dimensions (H x W x D)	265 x 300 x 263 mm		

Talaris House
Crockford Lane
Chineham Business Park
Basingstoke, Hampshire
RG24 8QZ, UK

T +44 (0)1256 368000
F +44 (0)1256 368001
info@uk.talaris.com
www.talaris.com

